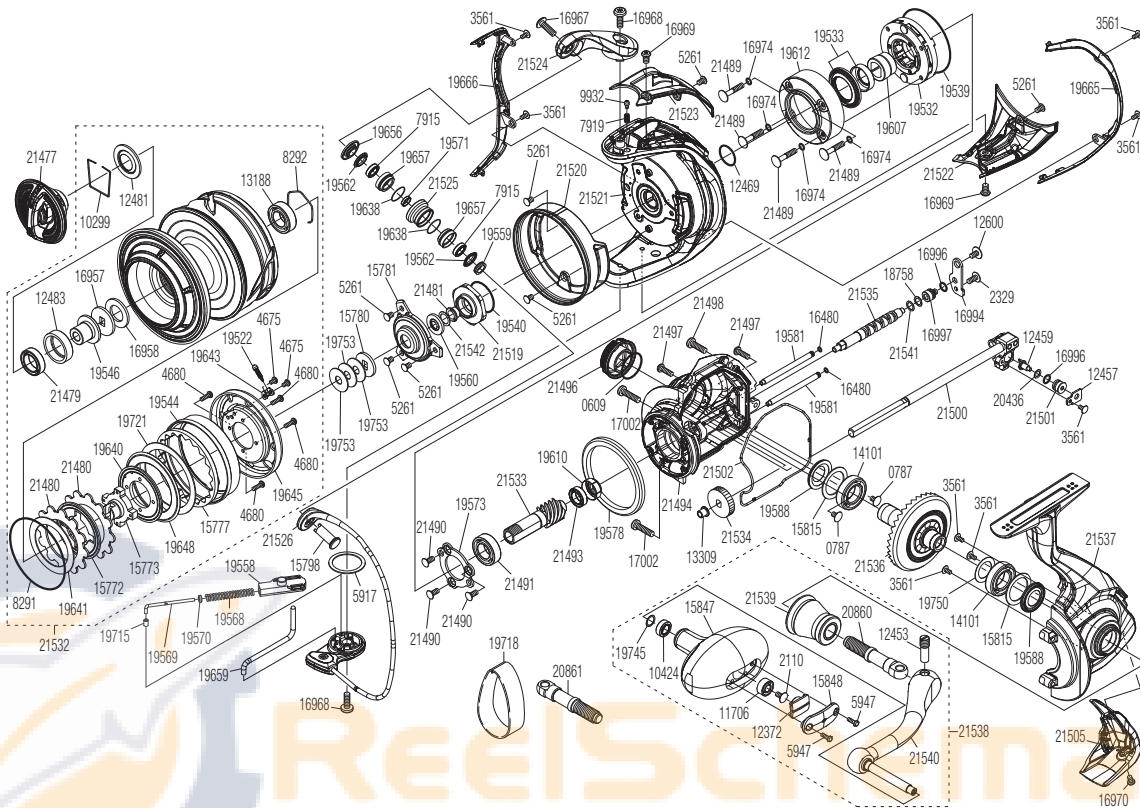


SHIMANO

TWIN POWER SA-RB

TP-SW14000XG



Please note that the number of adjusting washers may not always be the same as shown in the exploded views.
Please note that your actions take full responsibility when you take it apart.

(51SF41U145X)

Part No.	Description	Part No.	Description	Part No.	Description
RD 0609	O Ring	RD16996	O Ring	RD21481	Spacer
RD 0787	Screw	RD16997	Bushing	RD21489	Screw
RD 2110	Screw	RD17002	Screw	RD21490	Screw
RD 2329	Screw	RD18758	Washer	RD21491	Ball Bearing
RD 3561	Screw	RD19522	Drag Click Assembly	RD21493	Ball Bearing
RD 4675	Screw	RD19532	Roller Clutch Assembly	RD21494	Body
RD 4680	Screw	RD19533	Roller Clutch Waterproof Assembly	RD21496	Handle Screw Cap
RD 5261	Screw	RD19539	O Ring	RD21497	Screw
RD 5917	Washer	RD19540	O Ring	RD21498	Screw
RD 5947	Screw	RD19544	Drag Cover	RD21500	Main Shaft Assembly
RD 7915	Ball Bearing	RD19546	Bearing Support	RD21501	Oscillating Slider Bushing
RD 7919	Click Spring	RD19558	Bail Spring Guide B	RD21502	Body Seal
RD 8291	O Ring	RD19559	Collar	RD21505	Rear Protector
RD 8292	Bearing Retainer	RD19560	Bearing Water Proof	RD21519	Rotor Nut
RD 9932	Click Pin	RD19562	Line Roller Seal	RD21520	Rotor Brim
RD10299	Retainer	RD19568	Bail Spring	RD21521	Rotor Assembly
RD10424	Ball Bearing	RD19569	Bail Spring Guide A	RD21522	Bail Hold Support Guard
RD11706	Ball Bearing	RD19570	Spring Guide A Support Collar	RD21523	Bail Spring Cover
RD12372	Handle Knob Seal	RD19571	Collar	RD21524	Bail Arm
RD12453	Screw	RD19573	Bearing Retainer	RD21525	Line Roller
RD12457	Oscillating Pawl Cover	RD19578	Friction Ring	RD21526	Bail Assembly
RD12459	Oscillating Pawl	RD19581	Oscillating Guide	RD21532	Spool Assembly
RD12469	O Ring	RD19588	Bearing Water Proof	RD21533	Pinion Gear
RD12481	Waterproof Sheet	RD19607	Roller Clutch Inner	RD21534	Idle Gear
RD12483	Bearing Bushing	RD19610	Bushing	RD21535	Worm Shaft
RD12600	Screw	RD19612	Clutch Water Proof Cover	RD21536	Drive Gear Assembly
RD13188	Ball Bearing	RD19638	O Ring	RD21537	Side Cover Assembly
RD13309	Bushing	RD19640	Drag Disk B	RD21538	Handle Assembly
RD14101	Ball Bearing	RD19641	Drag Washer C	RD21539	Handle Shaft Cover Assembly
RD15772	Drag Disk A	RD19643	Spring Holder	RD21540	Handle Shank Assembly
RD15773	Bearing Bushing	RD19645	Heat Sink	RD21541	Washer
RD15777	Drag Click Ratchet	RD19648	Spool Bearing Water Proof	RD21542	Washer
RD15780	Spool Support	RD19656	Line Roller Plate		
RD15781	Retainer	RD19657	Bushing		
RD15798	Line Roller Support	RD19659	Bail Trip Lever		
RD15815	Washer	RD19665	Rotor Guard A		
RD15847	Handle Knob	RD19666	Rotor Guard B		
RD15848	Handle Knob ID Plate	RD19715	Bail Spring Guide A Bush		
RD16480	O Ring	RD19721	Drag Plate Washer		
RD16957	Key Washer	RD19745	Washer		
RD16958	Drag Washer A	RD19750	Washer		
RD16967	Screw	RD19753	Spool Washer		
RD16968	Screw	RD20436	Washer		
RD16969	Screw	RD20860	Handle Shaft		
RD16970	Screw	RD21477	Drag Knob Assembly		
RD16974	O Ring	RD21479	Ball Bearing	RD19718	Belt (M) (accessory)
RD16994	Worm Shaft Retainer	RD21480	Drag Washer B	RD20861	Handle Shaft (Right) (accessory)